

Arctic Seal®

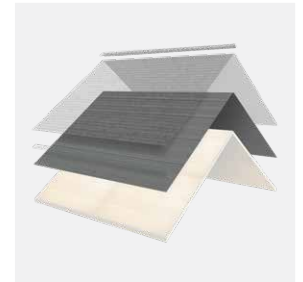
Ice & Water Barrier - Self-Adhering

Arctic Seal® is a durable, waterproof, self-adhering underlayment made for areas of the roof most susceptible to leaks and ice damming. Arctic Seal® is made with our industry-leading **NEX® Polymer Modified (Rubberized) Asphalt**, an innovative technology that uses rubber polymers [molecular compounds] to strengthen and rubberize the asphalt core of the underlayment for vastly superior all-weather resilience and longevity.

It's more sustainable too. Added to the mix are *upcycled* polymers from used tires and plastic bags. **Sustainability without sacrificing performance.**

INSTALLED FIRST

When installing a complete 5-component system, the ice & water barrier is installed first, prior to the underlayment. Arctic Seal® can also be used as a high-performance, all-roof underlayment.



NEX® RUBBERIZED ASPHALT

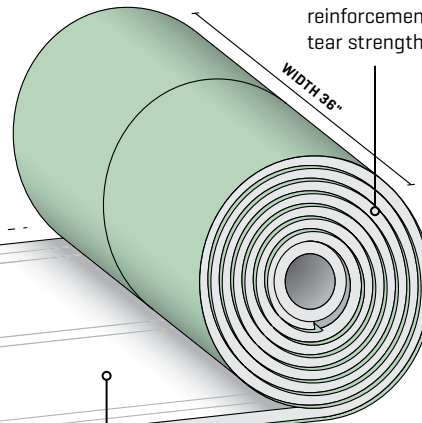
Asphalt core of underlayment is rubberized with synthetic rubber polymers (SBS) to enhance strength, flexibility, and resilience. Passed ASTM D5147 compound stability testing up to 225°F (107°C) without failure.

UPCYCLED RUBBER & PLASTIC

Polymers from recycled rubber and plastic improve underlayment durability while diverting used tires and plastic bags from the landfill.

FIBERGLASS MAT

Provides structural reinforcement and tear strength.



SELF-ADHERING APPLICATION

Split-release film for quick and easy installation. Self-sealing properties of the sheet provide protection against leaks around nails.

ADVANCED ADHESION

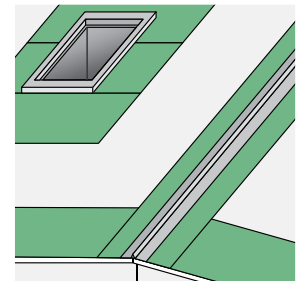
Among the industry's highest adhesion uplift rating for greater confidence the sheet will remain securely in place after installation.

INCREASED WALKABILITY

Underlayment is constructed with a sand surface for improved walkability and safety, even in high temperatures.

MODULAR PRODUCT

Used on steep slope roofs to guard against ice damming and wind-driven rain, Arctic Seal® serves a dual role as a flashing membrane on valleys, roof-to-wall transitions, and around vents and skylights, *and* is also part of the DuoStik™ waterproof system for low slope applications.¹



¹ Learn more about the DuoStik™ low slope system at www.malarkeyroofing.com.

Test Compliance - ASTM D1970 and FM Approved.

Arctic Seal® is eligible for expanded warranty coverages relative to its use as a single roofing accessory or in combination with others in a complete Malarkey roofing system. Installed separately, it carries a 10-year product warranty against manufacturing defects. For complete Warranty details, please visit www.malarkeyroofing.com/warranties.

This version supersedes all previous versions. Rev. 08/23

www.malarkeyroofing.com
800-545-1191

