



Shown in Sienna Blend

QUICK SPECS

Impact Rating	Class 4
Shingle Warranty*	25 Years
Non-Prorated Period	7 Years
Algae Warranty	5 Years
Limited Wind Warranty	60 MPH
Enhanced Wind Warranty	70 MPH



Sustainable Performance™
Superior Performance & Better for the Environment

CRAFTSMANSHIP
 NEX® Rubberized Asphalt
 Rubberized Wind Seal

PERFORMANCE
 Up to 65% Greater Granule Adhesion
 Class 4 Impact Rating

CIRCULAR SUSTAINABILITY
 [PER ROOF]
 Upcycles ~4 Rubber Tires
 Upcycles ~2,500 Plastic Bags
 Cleans Smog Pollution like ~1 Tree

Dura-Seal® AR

3-Tab Shingles – Aging, Algae, and Impact Resistant

Dura-Seal® AR [algae resistant] shingles are made with our patented **NEX® Polymer Modified [SBS Rubberized] Asphalt**, an innovative technology that infuses rubber and plastic polymers to strengthen the asphalt core of the shingle for superior impact resistance, granule adhesion, all-weather resilience, and aging longevity.

Dura-Seal® AR shingles are also sustainable. Upcycled polymers from used tires and plastic bags improve durability and aging resistance, while helping reduce landfill waste. And smog-reducing granules help clean the air of emission pollutants, like planting trees on your roof.

Sustainability without sacrificing performance.

BEST IN CLASS

Malarkey's Dura-Seal® AR shingles are *Best In Class* – made with the **industry's leading technology** [NEX® SBS rubberized asphalt], **highest impact rating** [Class 4], **strongest sustainability** [aging longevity, upcycled rubber & plastic, smog-reducing granules], and **superior warranty protection** for peace of mind.

Color Options

See shingle colors on a roof, or your roof, at www.malarkeyroofing.com/roof-designer.



Note: Matching colors available in high-profile EZ-Ridge® and EZ-Ridge® XT as well as standard low-profile RidgeFlex® hip and ridge shingles.

Performance Engineered, Sustainably Designed

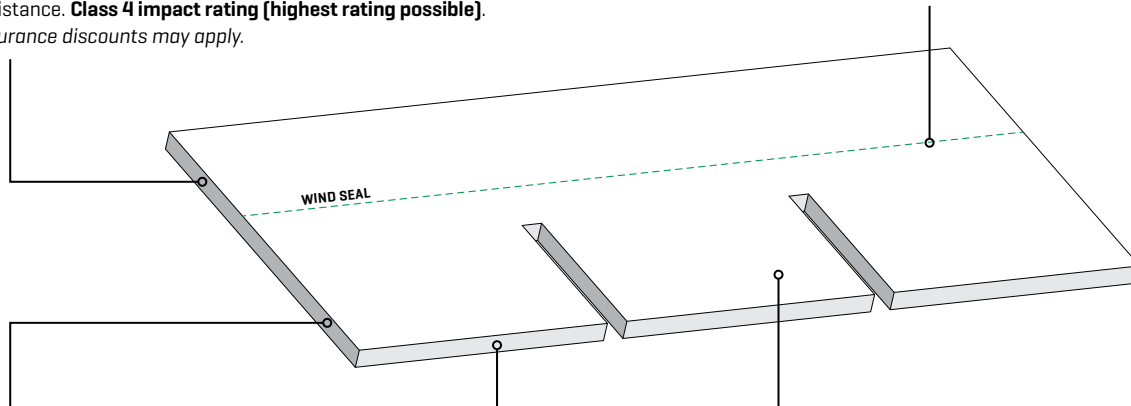
☘ NEX® RUBBERIZED ASPHALT

Asphalt core of shingle is rubberized with virgin synthetic rubber polymers [SBS] to enhance shingle strength, flexibility, and aging resistance. **Class 4 impact rating (highest rating possible).**

Insurance discounts may apply.

POLYMER MODIFIED ADHESION

Synthetic rubber adhesive [SEBS] wind seal resists dry-out and delivers **extreme protection from wind uplift and shingle blow-off.**



☘ UPCYCLED RUBBER & PLASTIC

Polymers from recycled rubber and plastic improve shingle durability and aging resistance, while **diverting the equivalent of ~4 rubber tires and ~2,500 plastic bags from the landfill per roof.**¹

FIBERGLASS MAT

Provides structural reinforcement and tear strength.

3M™ ROOFING GRANULES

Deeply embedded, ceramic-coated granules protect shingle from weather and UV aging. **Up to 65% greater granule adhesion than the industry standard [ASTM D3462].**

☘ 3M™ SMOG-REDUCING GRANULES

Clean the air of emission pollutants. **Each roof has the smog-fighting potential of ~1 tree.**²

3M™ COPPER GRANULES

Reduce black streaks caused by algae growth. **5-year algae warranty.**

☘ *Malarkey Industry Firsts*



¹ Assumes roof of 30 squares.

² Assumes roof of 30 squares. Source: Lawrence Berkeley National Laboratory and 3M.

Test Compliance – ASTM D7158 Class H, ASTM D3462, ASTM D3161 Class F, ASTM D3018 Type I, ASTM E108 Class A Fire Rating, UL 2218 Class 4, and ICC Approval – ESR-3150. CRRC rated colors can be used to comply with California Energy Code [CEC] Title 24, Part 6 Cool Roof Requirements (Dura-Seal® AR Ivory Mist only). Dura-Seal® AR Ivory Mist shingles can also be used to comply with Los Angeles County, California Title 31 Cool Roof Requirements.

Disclaimer: Photographs of shingles may not accurately represent their true color or the variations of color blends that will appear on the roof. **Before installation, five or six shingles should be laid out and reviewed for desired color.** Colors and specifications subject to change without notice. Shingle colors not available in all regions.

+ For complete warranty information, please reference Malarkey's **Shingle and Accessory Warranty** available at www.malarkeyroofing.com/warranties.

This version supersedes all previous versions. Rev. 11/23

www.malarkeyroofing.com
800-545-1191

