



Shown in Natural Wood



EZ-Ridge® Scotchgard™ Protector

High Profile Hip & Ridge Shingles - Aging, Algae, and Impact Resistant

EZ-Ridge® Scotchgard™ Protector shingles are made with our patented **NEX® Polymer Modified [SBS Rubberized] Asphalt**, an innovative technology that infuses rubber and plastic polymers to strengthen the asphalt core of the shingle for superior impact resistance, granule adhesion, all-weather resilience, and aging longevity.

EZ-Ridge® Scotchgard™ Protector shingles are also sustainable. Upcycled polymers from used tires and plastic bags improve durability and aging resistance, while helping reduce landfill waste. And smog-reducing granules help clean the air of emission pollutants, like planting trees on your roof. *Sustainability without sacrificing performance.*

INSTALLED FIFTH

When installing a complete 5-component system, hip & ridge shingles are installed last, after the field [roofing] shingles.

TWO PROFILE OPTIONS

- 8" [203 mm] EZ-Ridge®
- 10" [254 mm] EZ-Ridge® XT

COLOR MATCH

Hip and ridge shingles match the color of selected field shingles

HIGH PROFILE HIP & RIDGE

Adds noticeable roof dimension for enhanced curb appeal.

NEX® RUBBERIZED ASPHALT

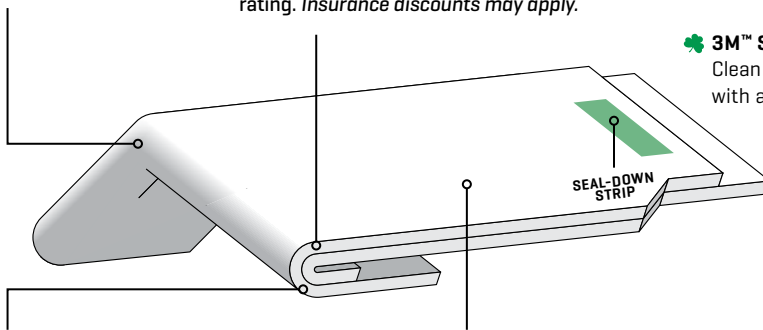
Asphalt core of shingle is rubberized with virgin synthetic rubber polymers [SBS] to enhance shingle strength, flexibility, and aging resistance at the more vulnerable, high points of the roof. **Class 4 impact rating. Insurance discounts may apply.**

UPCYCLED RUBBER & PLASTIC

Polymers from recycled rubber and plastic improve shingle durability while **diverting used tires and plastic bags from the landfill.**

3M™ SMOG-REDUCING GRANULES

Clean the air of emission pollutants with a smog-fighting roof.¹



FIBERGLASS MAT

Provides structural reinforcement and tear strength.

ROOFING GRANULES

Deeply embedded, ceramic-coated granules protect shingle from weather and UV aging. **Superior granule adhesion.**

3M™ COPPER GRANULES

Reduce black streaks caused by algae growth. **Limited Lifetime algae warranty.**

Malarkey Industry Firsts

¹ Source: Lawrence Berkeley National Laboratory and 3M.

Test Compliance – ASTM D3161 Class F, ASTM E108 Class A Fire Rating, UL 2218 Class 4, ICC Approval – ESR-3150, and FBC Approval – #14809.

Disclaimer: Photographs of shingles may not accurately represent their true color or the variations of color blends that will appear on the roof. Before installation, five or six shingles should be laid out and reviewed for desired color. Colors and specifications subject to change without notice. Shingle colors not available in all regions. EZ-Ridge® shingles are designed to highlight certain hues in Malarkey shingles and may not always appear to be an exact match to the entire blend of the roof. Scotchgard and Scotchgard Protector, including the 3M logo, are all trademarks of 3M.

EZ-Ridge® is eligible for expanded warranty coverages relative to its use as a single roofing accessory or in combination with others in a complete Malarkey roofing system. When installed with algae resistant shingles, EZ-Ridge® is covered by Malarkey's Limited Lifetime Scotchgard™ Protector Warranty. Installed separately, it carries a 10-year product warranty against manufacturing defects. For complete Warranty details, please visit www.malarkeyroofing.com/warranties. This version supersedes all previous versions. Rev. 03/24

www.malarkeyroofing.com
800-545-1191



DISTRIBUTED FROM: ● PORTLAND, OR ● SOUTH GATE, CA ● OKLAHOMA CITY, OK	COLOR AVAILABILITY	
	8" EZ-Ridge®	10" EZ-Ridge® XT
Antique Brown	●	●
Black Dusk	●	●
Black Oak	●	●
Brilliant Black		●
Burlwood	●	●
Coastal Grey	●	●
Desert Brush	●	●
Golden Amber	●	●
Heather	●	●
Ivory Mist	●	●
Midnight Black	●	●
Moonlit Black	●	●
Natural Wood	●	●
Pacific Drift	●	●
Riverstone Grey	●	●
Sienna Blend	●	●
Silverwood	●	●
Storm Grey	●	●
Weathered Wood	●	●
Weathered Wood Plus		●
Willow Wood	●	●

See shingle colors on a roof, or your roof, at www.malarkeyroofing.com/roof-designer.